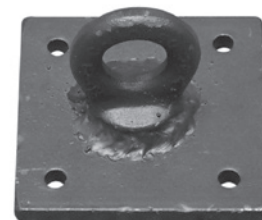


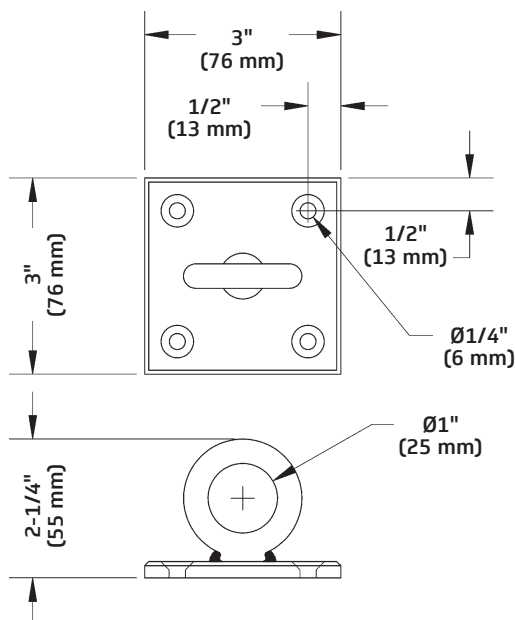
Floor Plate

- Used for terminating guide lines
- 3" x 3" (76 mm x 76 mm) square, steel floor plate with forged eye
- Three-year warranty against defects in materials or workmanship is provided on all J.R. Clancy equipment, additional warranty information is available at jrclancy.com



**Floor Plate
016-97**

Dimensions



Order Information

Number	Description	RWL	Weight
016-97	Floor Plate	450 lb (204 kg)	0.8 lb (0.36 kg)

RWL: RWL is maximum load that can be applied to the floor plate which is in "like new" condition and has been properly installed, maintained, and operated.

